

Basic information

Nominal volume 60 ml
Working volume 20–40 ml
Excess operating pressure 300 bar and 700 bar
Operating temperature up to 200°C max.
Speed up to 1'500 rpm max.
Material Mat. no. 1.4435 (AISI 316L)
Mat. no. 1.4571 (AISI 316Ti)
Mat. no. 1.4980 (AISI 660)
Hastelloy C22, C276, B3
Titanium Gr. 2

Flange lock

A union nut (M48 x 1.5 mm, width across flats 55) is used as the flange lock.

Sealing

The autoclave vessel is doubly sealed: once in the upper section with an O-ring made of Viton, EPDM or Kalrez, and also below with a metal-to-metal medium seal (die ring).

Temperature sensor

One temperature sensor Pt100, type K or type N, in the submerged tube to measure the medium temperature.

Drive

Micromotor, 24 V/DC. A digital speed indicator, type DZA-6, can be supplied with this item.

Magnetic stirrer drive

The magnetic stirrer drive features a streamlined design with a torque of 20 Ncm.

Bearings

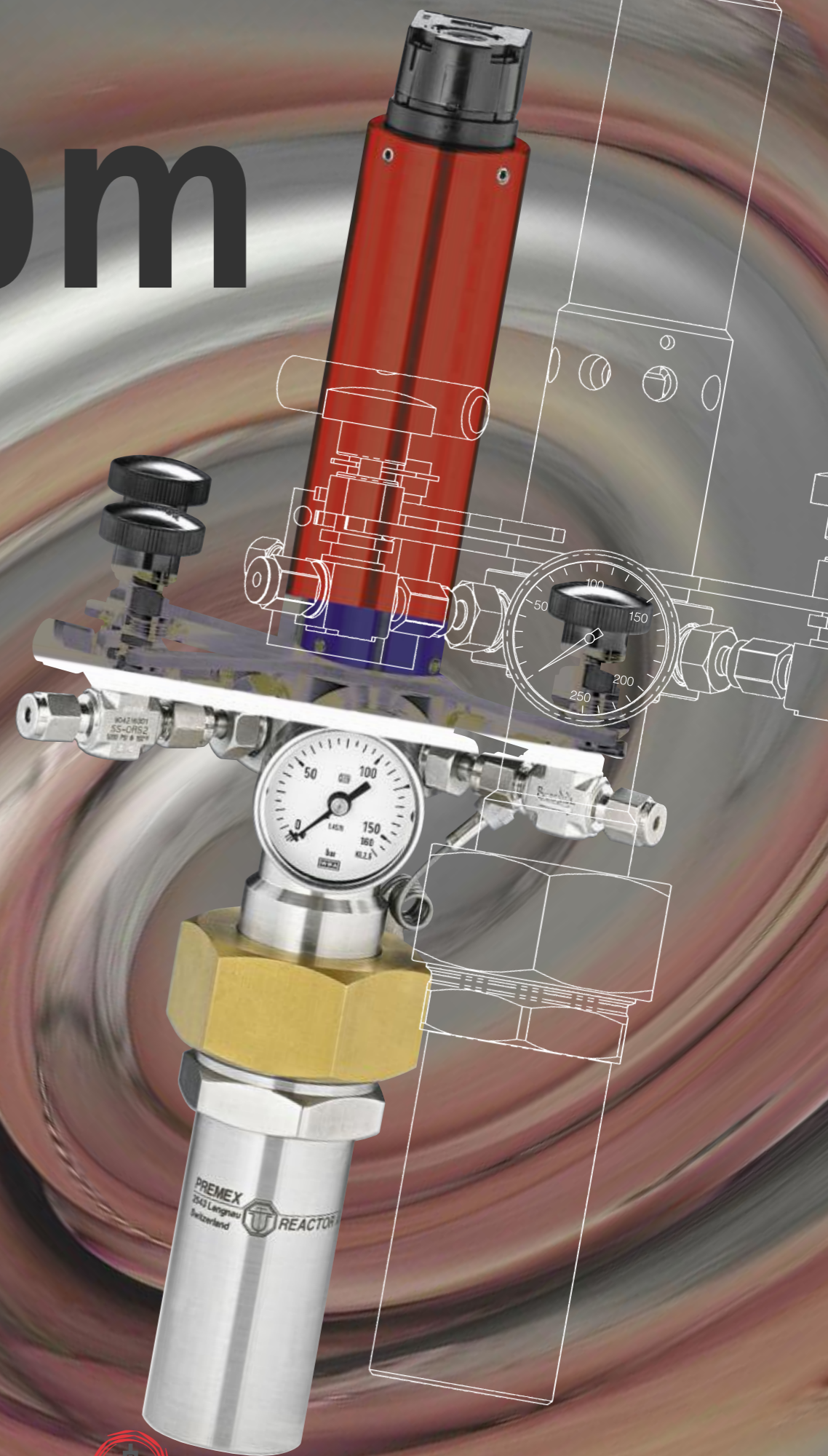
The driven shaft is mounted on ball bearings made of stainless steel or friction bearings made of PTFE/carbon.

phone
fax
internet
e-mail

premex reactor ag
industriestrasse 11
ch-2543 lengnau/switzerland
+41 (0)32 653 60 20
+41 (0)32 653 60 25
www.premex-reactorag.ch
office@premex-reactorag.ch

hpm

andorra



premex 
reactor ag®

«andorra» goes beyond the realm of the small autoclave family. This new development in autoclave manufacture is the perfected product on many year's experience. Our «andorra» features the technology that you can only find elsewhere in large autoclaves (60–100 ml).

«andorra» is a real team player in any situation that involves multi-versions of four, eight or more autoclaves in series. For multiple reactions, the individual small autoclaves can be individually heated, cooled and controlled with no further ado.

Seals are largely eliminated thanks to the ingenious design of the autoclave cover (manufactured in one piece), combined with our «miniroyal» magnetic stirrer drive which also provides all the valve connections, the pressure gauge and the pressure protection.

Drive

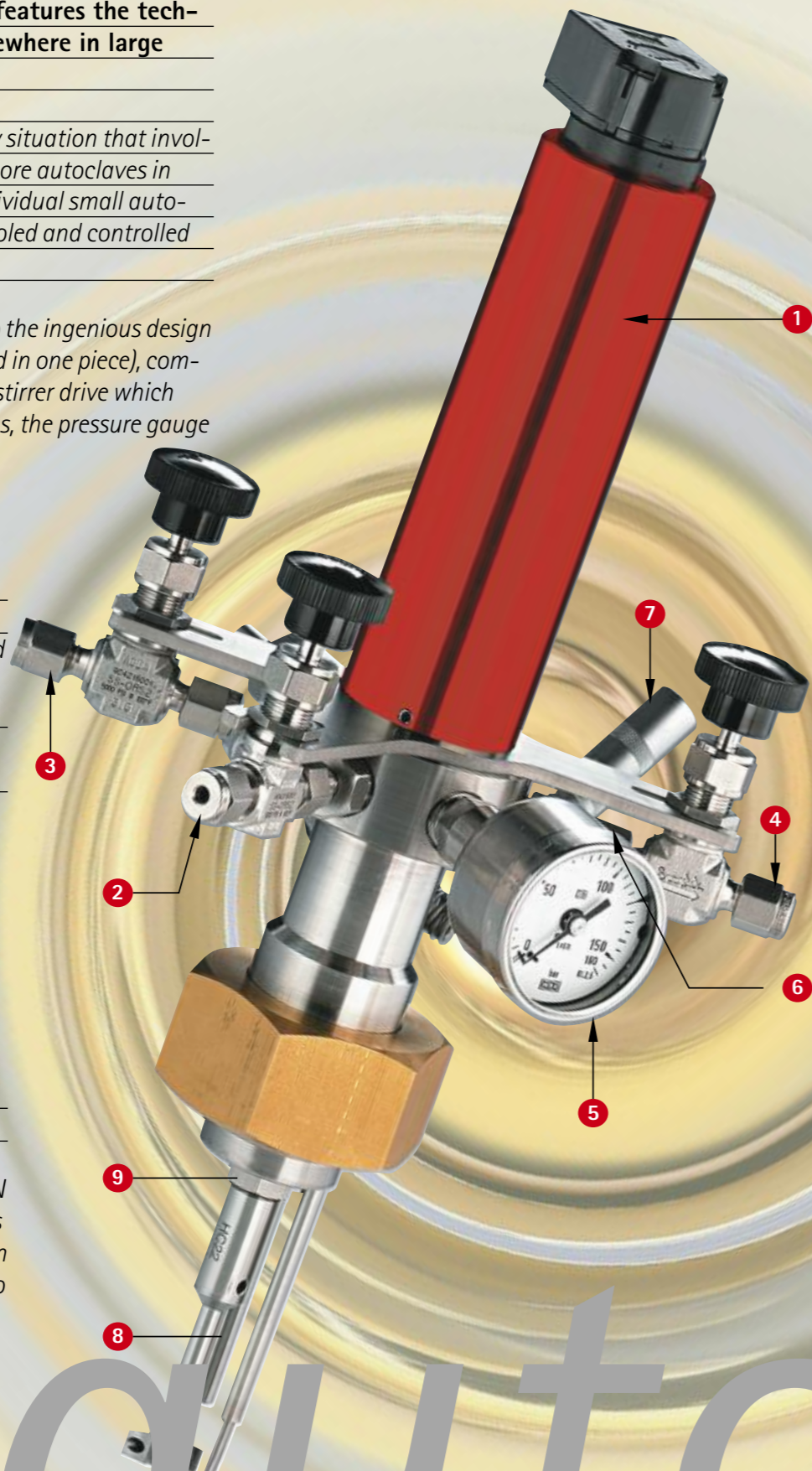
- 1 Micromotor 24V/DC, driven speed 200–1'500 rpm.

Connections to the magnetic stirrer leadthrough

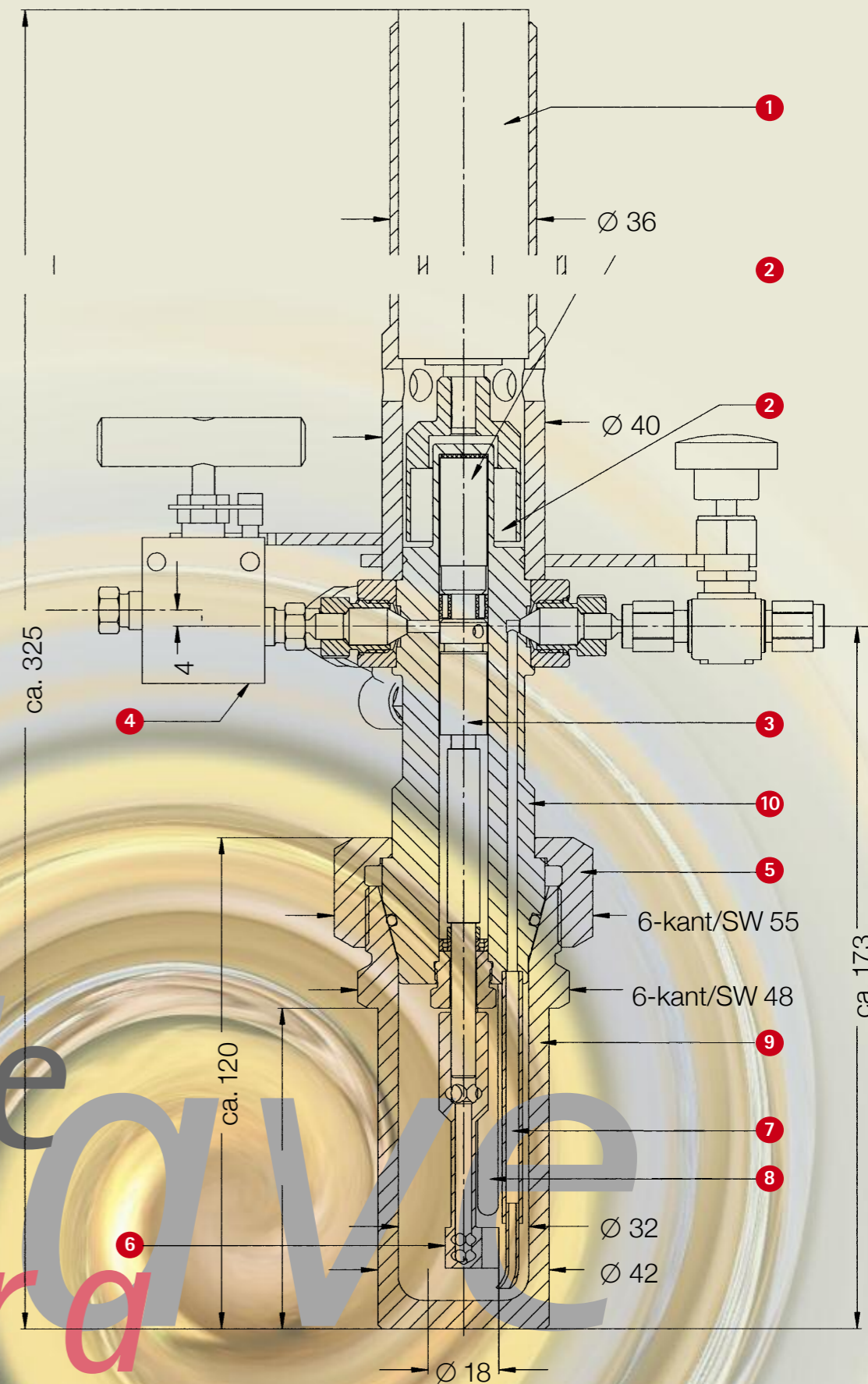
- 2 Gas supply valve
- 3 Pressure release valve
- 4 Valve with submerged tube for sampling
- 5 Pressure gauge (manometer) 0–400 bar
- 6 Safety burst disks
- 7 Speed reading point on driven shaft

Connections on the reactor cover

- 8 Submerged tube with thermo-sensor, type Pt100, type K or type N
- 9 Open the union nut (width across flats 12 mm) to remove the driven shaft in order to clean inside or to change the bearings.



- 1 Micromotor 24 V/DC
- 2 Magnetic coupling
- 3 Speed reading point
- 4 Gas supply to magnetic stirrer drive
- 5 Union nut for locking
- 6 Stirrer
- 7 Submerged tube (sampling)
- 8 Temperature sensor in medium
- 9 Autoclave vessel
- 10 Autoclave cover and pressure element for magnetic stirrer drive



Prod. no.	07.493.00670	07.493.00671	07.493.00672
Mat. no.	1.4435	1.4980	2.4602
AISI	316 L	660	HC22
p bar	300	700	300
T °C	200	200	200

the
andorra
hpm-a